

Sterilization lamp application

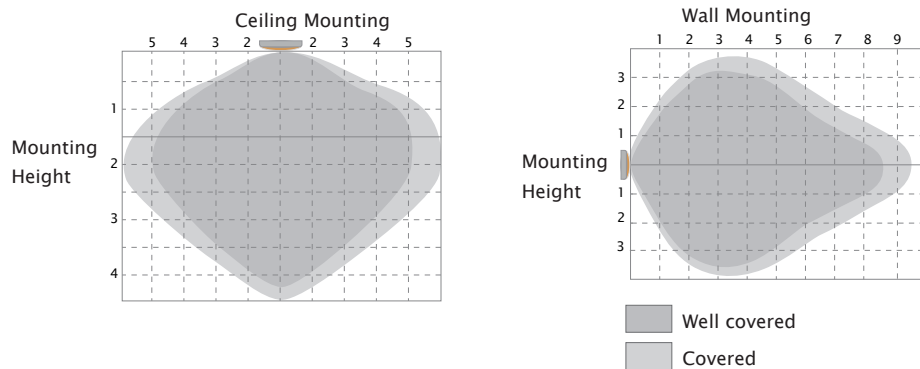
Mode: HD08S 4

1. Smart sensor, light OFF when people approach.
2. Optional detection range, ON/OFF hold time.
3. Application: living room, cinema, office etc.
4. 5 years warranty



Detection Area

The figure shows the detection range graph under the 100% sensitivity and 2-4M mounting height.

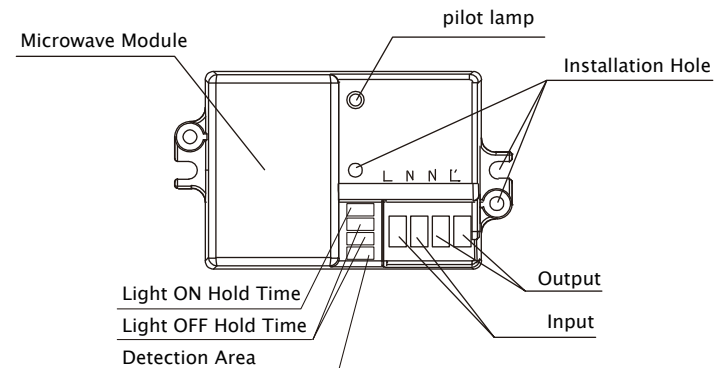


Specifications

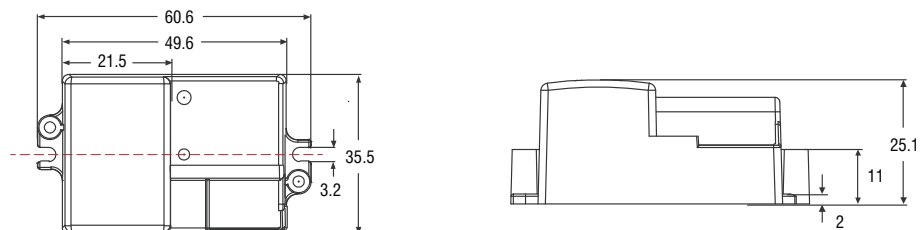
Operating Voltage	220-240VAC, 50Hz/60Hz
Switching Capacity	Max, 100W
Capacity	≤0.5W
Hold Time	10s
Detection Area	50%/100%
Light OFF Hold Time	30min/1H/2H/+∞
Light ON Hold Time	10s/20s
Microwave Frequency	5.8GHz±75MHz
Microwave Power	<0.3mW
Mounting Height	≤4m/13.12ft
Detection Range	Radius, 3-6m/9.84-19.68ft
Operating Temperature	-25°C~+60°C
Detection Angle	30°-150°
IP Rating	IP20
Warranty	5 years

Factory default setting: 100% detection area, 30min OFF hold time and 10s ON hold time.

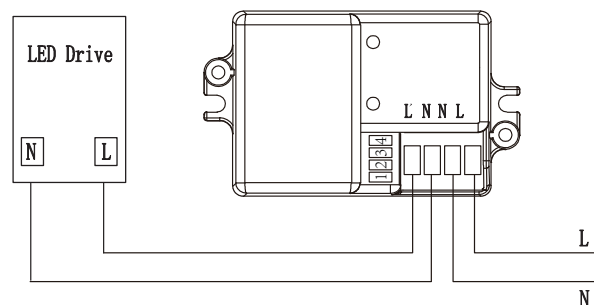
Mechanical Structure



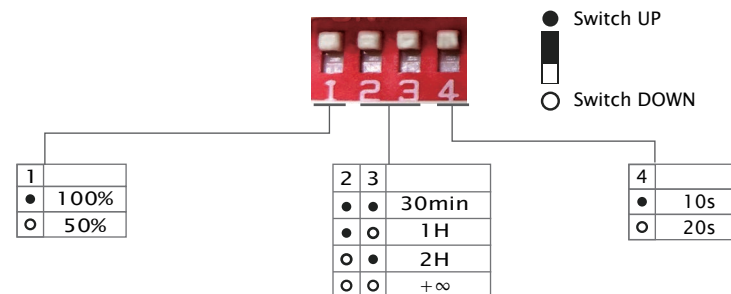
Dimension (Unit: mm)



Wiring Diagram



Setting



Detection Area

It's detection range, or sensitivity. When people walk into detection area, sensor will be triggered to turn off the light automatically.

Light OFF Hold Time Setting

The hold time that lamp keep ON until turn OFF.

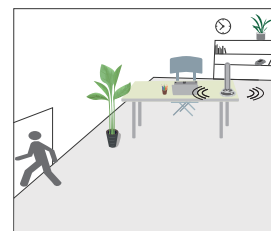
Light ON Hold Time Setting

Light ON Hold Time Setting.

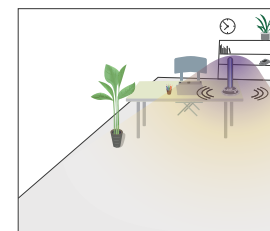
Instructions

1. After the UVC lamp is powered on, when people leaves the scene, the lamp flashes 10s / 20s and then turn on the light.
2. After turned on, the UVC lamp starts to work, the hold time can be set to 30min / 1H / 2H, and then turn off; if the hold time is set to (+ ∞), the lamp keep working and won't turn off.
3. When the UVC lamp is working, if detects that someone is approaching, it will turn off automatically, and the lamp will not turn on after the person leaves the detection area, unless power on again.

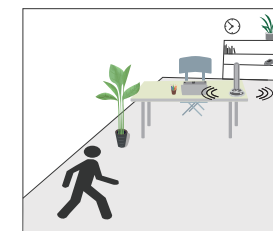
Application Demo



After the UVC lamp is powered on, when people leaves the scene, the lamp flashes 10s / 20s and then turn on the light.



After turned on, the UVC lamp starts to work, the hold time can be set to 30min / 1H / 2H, and then turn off.



When the UVC lamp is working, if detects that someone is approaching, it will turn off automatically.